

Prostore 500
1 Door Digital Freezer, 470lt
(-15/-22 °C) - R290

ITEM # _____

MODEL # _____

NAME # _____

SIS # _____

AIA # _____



691352 (PS04F1FHC)

* NOT TRANSLATED *

Main Features

- Large digital white-digit display with cabinet temperature display and setting and turbo frost cycle (to rapidly cool warm loads).
- Fully compliant HACCP digital control: when temperature exceeds critical limits, acoustic and visual alarms are activated. Up to two months of event are kept in memory.
- Large storage area suitable to contain 520x442 mm grids or shelves to improve net capacity.
- Optimized airflow within the chamber guarantees uniformity of temperature on all grids.
- Hidden evaporator thus guaranteeing higher storage capacity and less corrosion problems.
- Greater storage space: internal structure with numerous charging positions available to host grids, ensuring higher net capacity.
- Adjustable temperature range from -15°C to -22°C.
- Model requires only 1 phase 230V/50Hz supply and can be plugged straight into an existing power socket.
- Prearranged to fit RS485 port to facilitate connection to a remote computer and integrated HACCP systems.
- Complies with main international certification bodies and is CE marked.
- High resistance foot pedal included.
- Self closing and on site reversible left/right doors.
- Prearranged for remote alarm.
- Low noise level.
- IPX5 frontal water protection.
- ECA listed.
- Connectivity ready for real time access to connected appliances from remote and data monitoring (requires optional accessory).
- This appliance is intended for use in ambient temperatures up to 40°C.
- [NOT TRANSLATED]

APPROVAL: _____

Construction

- tainless steel AISI 304 external panels (galvanized external back).
- Inner cell with rounded corners, bottom pressed in only one piece.
- Stainless steel runners and supports easily disassembled.
- Internal components removable without the use of tools to facilitate cleaning operations.
- Pressed stainless steel door handle without joints gathering dust and dirt.
- Easy access to the main components for maintenance.
- Developed and produced in ISO 9001 and ISO 14001 certified factory.
- Automatic heated door frame.
- Lockable door.

Sustainability



- Frost Watch Control: fully automatic defrost starts only when ice is actually building-up in the evaporator and adapt the defrosting duration to guarantee perfect ice removal while optimizing energy efficiency consumption.
- CFC and HCFC free, highly ecological refrigerant type: R290 (ecological gas in foam: cyclopentane). Hydrocarbon refrigerant gas R290 for the lowest environmental impact (GWP=3), to reduce green house and ozone depletion effects.
- Insulation thickness: 65 mm of polyurethane injected with ecological foaming gas cyclopentane to ensure effective insulation with minimum energy consumption (thermal conductivity: 0,020 W/m*K).
- Removable triple-chamber balloon magnetic gasket to improve insulation and reduce energy consumption and ease of cleaning
- Optical door microswitch to stop the fan once the door is opened, thus minimizing energy waste.
- Interior LED light to save energy and for best internal visibility.

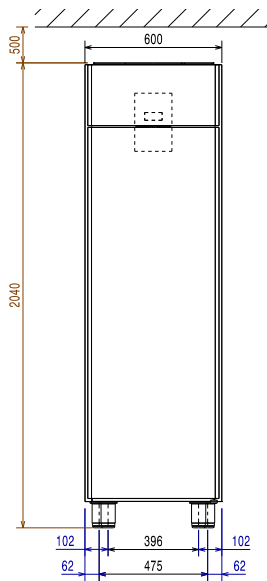
Included Accessories

- 1 of Pedal opening for cabinets PNC 880324
- 5 of Pair of runners for 470 and 720lt prostore cabinets PNC 880335
- 5 of - NOT TRANSLATED - PNC 880342

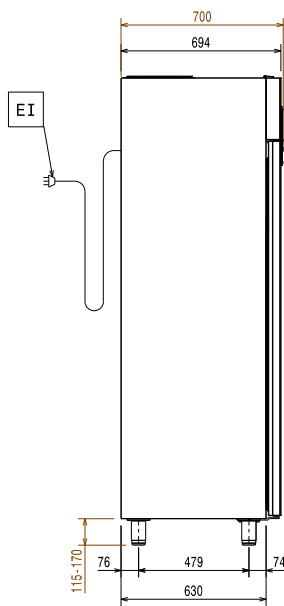
Optional Accessories

- Stainless steel grid (520x442) PNC 880321
- Pedal opening for cabinets PNC 880324
- Kit 4 feet, height 200mm PNC 880325
- Kit of 4 feet-h=67 (marine) PNC 880326
- Kit pair of runners (marine) PNC 880327
- Base frame for 1/1 GN rack for 470lt prostore PNC 880328
- Pair of runners for 470 and 720lt prostore cabinets PNC 880335
- - NOT TRANSLATED - PNC 880342

Front

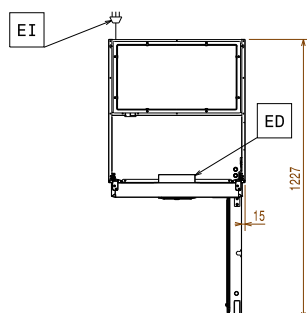


Side



EI = Electrical inlet (power)

Top



Electric

Supply voltage:

691352 (PS04F1FHC) 220-240 V/1 ph/50 Hz

Electrical power max.: 0.41 kW

Capacity:

Number and type of grids (included):

5 - 520x442

Key Information:

Gross capacity:	470 lt
Net Volume:	317 lt
Type of model (EU Reg. 2015/1094):	vertical frozen
Door hinges:	Right Side
External dimensions, Width:	600 mm
External dimensions, Depth:	700 mm
External dimensions, Depth with Doors Open:	1226 mm
External dimensions, Height:	2040 mm
Number and type of doors:	1 Full
Internal Dimensions, Width:	472 mm
Internal Dimensions, Depth:	582 mm
Internal Dimensions, Height:	1474 mm
Height adjustment:	15/40 mm
Type of external material:	304 AISI
Type of internal material:	304 AISI
Number of positions & pitch:	44; 22 mm

Refrigeration Data

Control type:	Digital
Compressor power:	3/4 hp
Refrigeration power at evaporation temperature:	-30 °C
Operating temperature min.:	-22 °C
Operating temperature max.:	-15 °C
Operating mode:	Ventilated
Cooling unit:	Built-In
Defrost type:	Electric

ISO Certificates

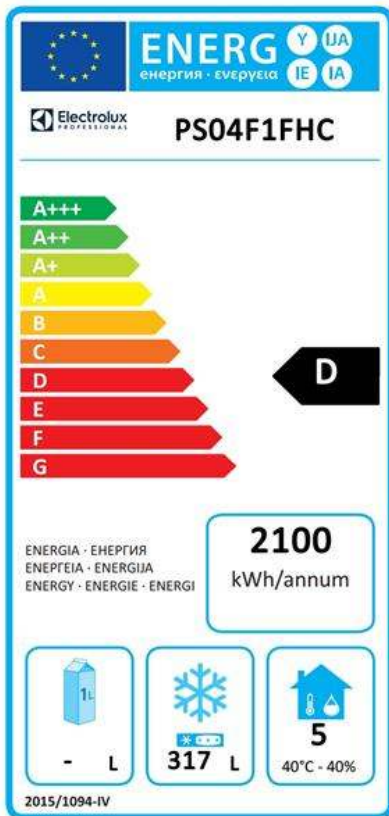
ISO Standards: ISO 9001; ISO 14001; ISO 45001; ISO 50001

Sustainability

Energy Class (EU Reg. 2015/1094):	D
Yearly and daily energy consumption (EU Reg. 2015/1094):	2100kWh/year - 6kWh/24h
Climate class (EU Reg. 2015/1094):	Heavy Duty (5)
Energy Efficiency Index-EEI (EU Reg. 2015/1094):	69.21
Noise level:	54 dBA
Refrigerant type:	R290
GWP Index:	3
Refrigeration power:	569 W
Refrigerant weight:	145 g

 Prostore 500
 1 Door Digital Freezer, 470lt (-15/-22 °C) - R290

The company reserves the right to make modifications to the products without prior notice. All information correct at time of printing.



EU energy labelling from 1st July 2016

The European energy labelling scheme for professional refrigerators and freezers is based on requirements setting Minimum Energy Performance standards for commercial refrigeration cabinets sold within the EU.

These requirements are designed to drive energy efficiency and environmentally friendly approach for professionals. The European energy labelling scheme will apply to all manufacturers and importers who sell and market products within the EU and it is mandatory across Europe. Important: all products which consume energy above the minimum level will not be able to be sold within the EU from 1 July 2016.

SI 2020 No. 1528.

Important: all products which consume energy above the minimum level will not be able to be sold within the EU from 1 July 2016.

